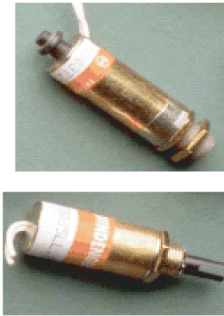
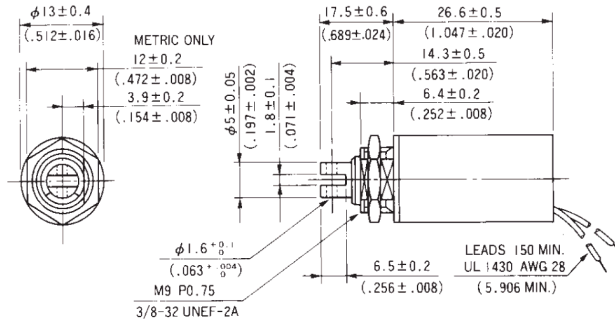


SIZE130 PULL, 130 PUSH TUBULAR SOLENOID

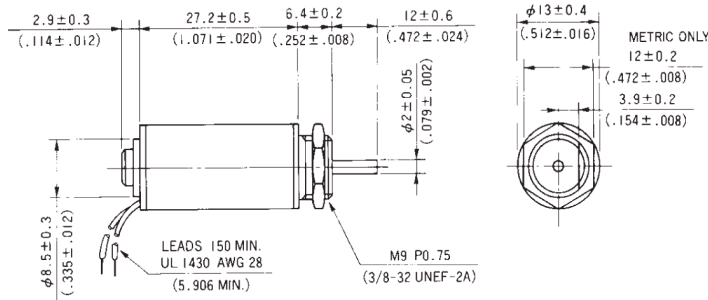
UNIT : $\frac{mm}{(inch)}$
SHOWN ENERGIZED



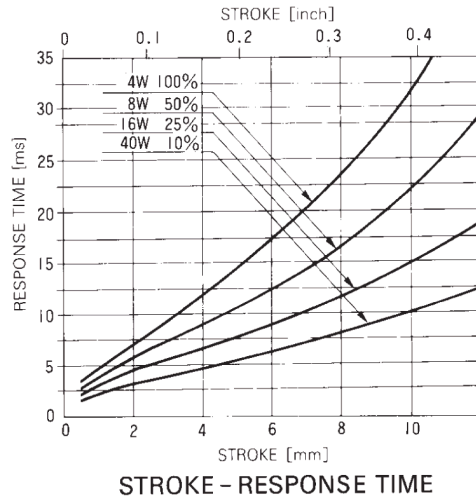
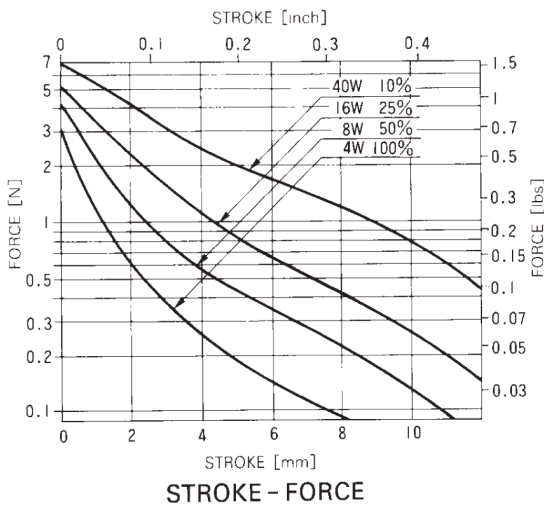
PULL



PUSH



WEIGHT : 24g
PLUNGER
PULL : 5g
PUSH : 4g



COIL DATA

Heat sink : 50×50×3mm aluminum

| duty cycle = $\frac{\text{"on" time}}{\text{"on" time} + \text{"off" time}} \times 100\%$ | | | 100% continuous | 50% or less | 25% or less | 10% or less |
|---|---|-----------|--------------------|----------------|----------------|----------------|
| MAX. "on" time in seconds | | | ∞ | 50 | 5 | 2 |
| watts at 20°C | | | 4 | 8 | 16 | 40 |
| ampere-turns at 20°C | | | 453 | 640 | 905 | 1440 |
| AWG no. | resistance $\Omega \pm 10\%$ (at 20°C) | no. turns | volts DC | | | |
| 29 | 2.68 | 372 | 3.3 | 4.5 | 6.5 | 10.4 |
| 30 | 3.94 | 426 | 4.2 | 5.9 | 8.4 | 13.3 |
| 31 | 7.36 | 632 | 5.3 | 7.4 | 10.5 | 16.8 |
| 32 | 10.1 | 704 | 6.5 | 9.2 | 13 | 21 |
| 33 | 18.1 | 990 | 8.3 | 11.7 | 16.5 | 26 |
| 34 | 25.6 | 1100 | 10.6 | 14.9 | 21 | 34 |
| 35 | 44.2 | 1500 | 13.6 | 19.2 | 27 | 43 |
| 36 | 71.3 | 1932 | 16.9 | 24 | 34 | 54 |
| 37 | 99 | 2170 | 21 | 29 | 41 | 66 |
| 38 | 159.5 | 2768 | 26 | 37 | 52 | 83 |
| 39 | 300 | 3980 | 34 | 48 | 68 | 109 |
| 40 | 469 | 4884 | 44 | 61 | 87 | 138 |
| 41 | 709 | 6024 | 53 | 75 | 107 | 170 |
| 42 | 1152 | 7784 | 67 | 95 | 134 | 213 |
| 43 | 1780 | 9330 | 87 | 112 | 173 | 275 |