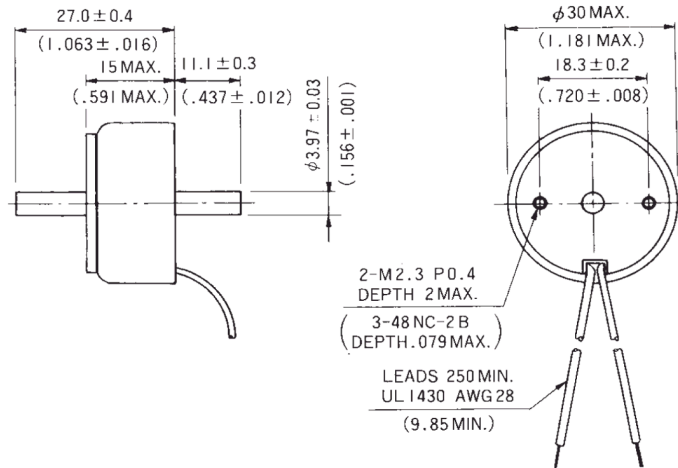
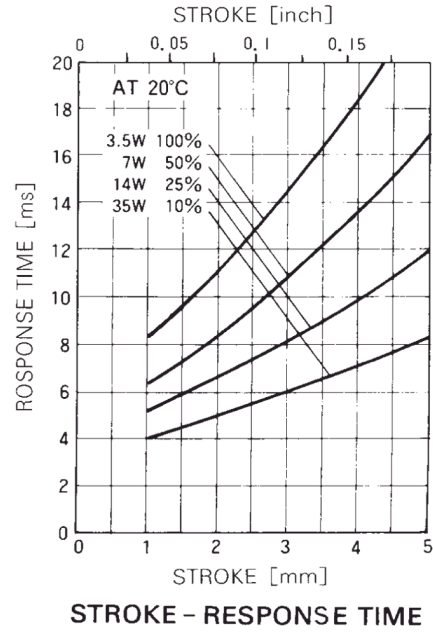
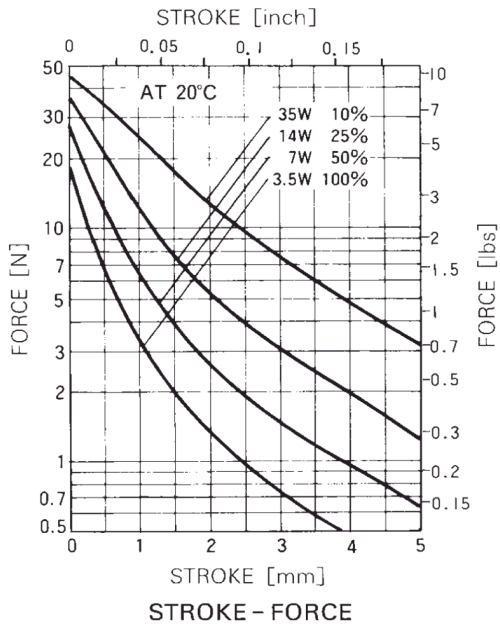


SIZE300C SMALL PUSH PULL SOLENOID

UNIT : $\frac{\text{mm}}{\text{(inch)}}$
SHOWN ENERGIZED



WEIGHT : 58g
PLUNGER : 16g



COIL DATA

without heat sink

| | duty cycle = $\frac{\text{"on" time}}{\text{"on" time} + \text{"off" time}} \times 100\%$ | | 100% continuous | 50% or less | 25% or less | 10% or less |
|------------------------|---|-----------|-----------------|-------------|-------------|-------------|
| | MAX. "on" time in seconds | | ∞ | 100 | 36 | 7 |
| | watts at 20°C | | 3.5 | 7 | 14 | 35 |
| | ampere-turns at 20°C | | 272 | 385 | 545 | 864 |
| type no. | resistance Ω ± 10% (at 20°C) | no. turns | volts DC | | | |
| M300C-3V F300C-3V | 2.6 | 235 | 3 | 4.2 | 6 | 9.5 |
| M300C-6V F300C-6V | 10.4 | 485 | 6 | 8.5 | 12 | 19 |
| M300C-12V F300C-12V | 41.8 | 990 | 12 | 17 | 24 | 38 |
| M300C-24V F300C-24V | 166 | 1780 | 24 | 34 | 48 | 76 |