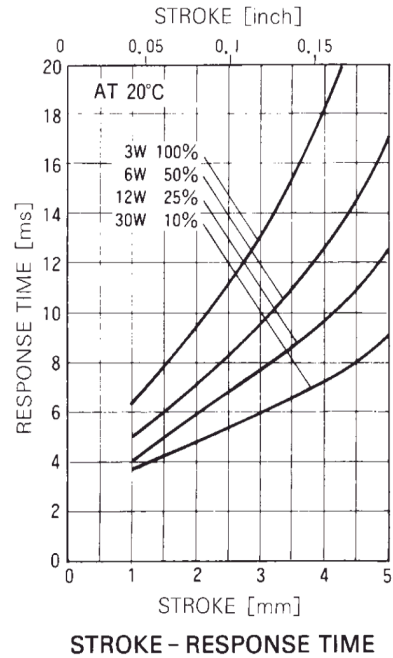
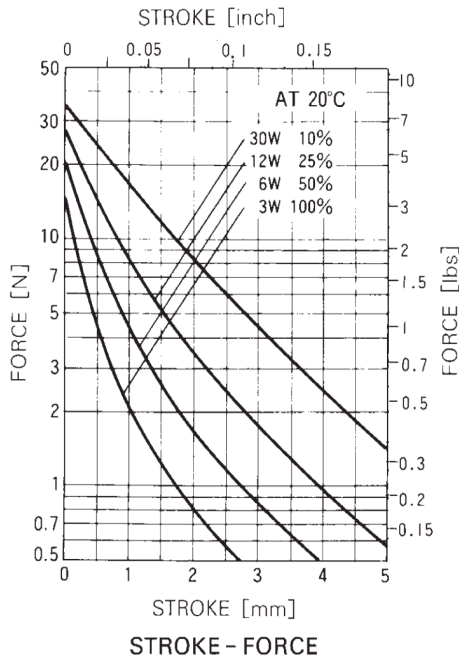
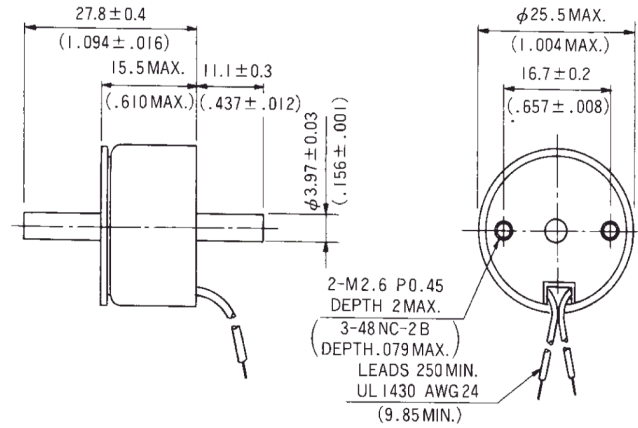


SIZE251C SMALL PUSH PULL SOLENOID

UNIT : $\frac{\text{mm}}{\text{(inch)}}$
SHOWN ENERGIZED



WEIGHT : 47g
PLUNGER : 11g



COIL DATA

without heat sink

type no.	resistance $\Omega \pm 10\%$ (at 20°C)	no. turns	duty cycle = $\frac{\text{"on" time}}{\text{"on" time} + \text{"off" time}} \times 100\%$				
			100% continuous	50% or less	25% or less	10% or less	
			MAX. "on" time in seconds	∞	100	36	7
			watts at 20°C	3	6	12	30
ampere-turns at 20°C			240	339	480	758	
			volts DC				
M251C-3V F251C-3V	3.3	285	3	4.2	6	9.5	
M251C-6V F251C-6V	13	570	6	8.5	12	19	
M251C-12V F251C-12V	51	1090	12	17	24	38	
M251C-24V F251C-24V	228	2250	24	34	48	76	

(주)신우솔텍 TEL : 02-584-5995