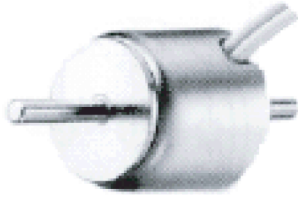
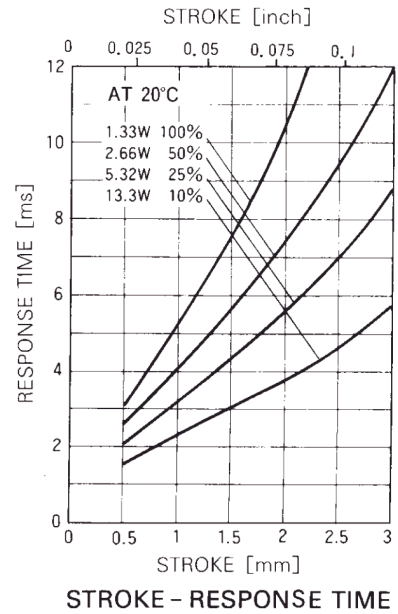
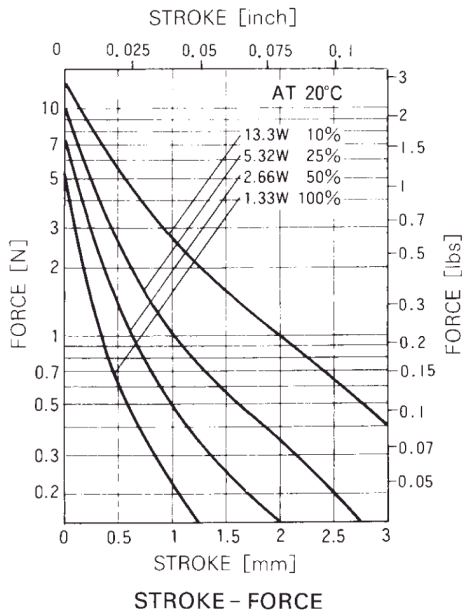
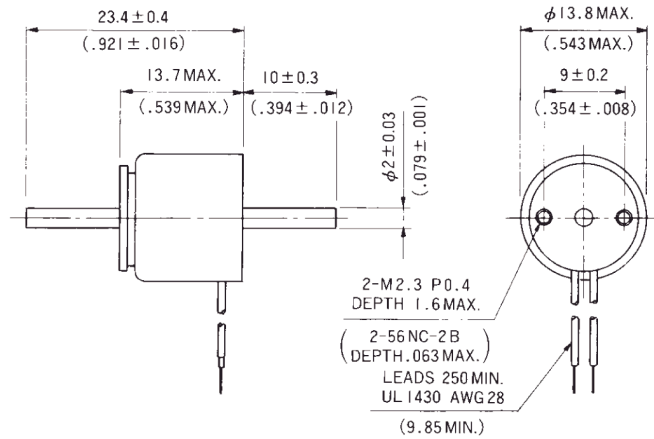


# SIZE141C SMALL PUSH PULL SOLENOID

UNIT :  $\frac{\text{mm}}{\text{inch}}$   
 SHOWN ENERGIZED



WEIGHT : 12g  
 PLUNGER : 2.5g



## COIL DATA

without heat sink

	duty cycle = $\frac{\text{"on" time}}{\text{"on" time} + \text{"off" time}} \times 100\%$		100% continuous	50% or less	25% or less	10% or less
	MAX. "on" time in seconds		$\infty$	100	36	7
	watts at 20°C		1.33	2.66	5.32	13.3
	ampere-turns at 20°C		133	189	267	422
type no.	resistance $\Omega \pm 10\%$ (at 20°C)	no. turns	volts DC			
M141C-3V F141C-3V	6.5	330	3	4.2	6	9.5
M141C-6V F141C-6V	30	700	6	8.5	12	19
M141C-12V F141C-12V	97	1200	12	17	24	38
M141C-24V F141C-24V	468	2600	24	34	48	76