

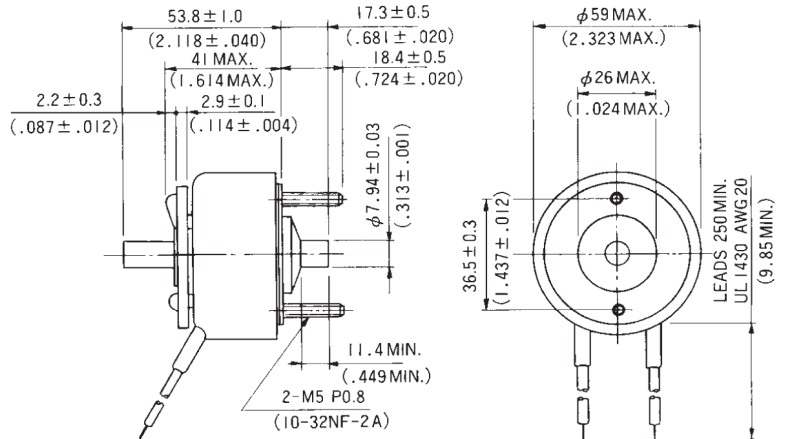
SIZE591 ROTARY SOLENOID

UNIT : $\frac{mm}{(inch)}$

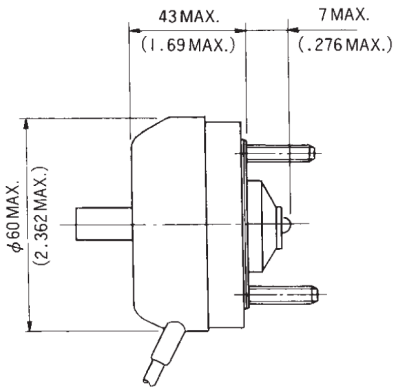
SHOWN DE-ENERGIZED, RIGHT HAND ROTATION



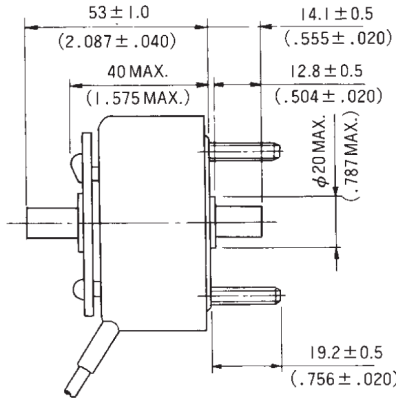
WEIGHT (ABD&R) : 615g



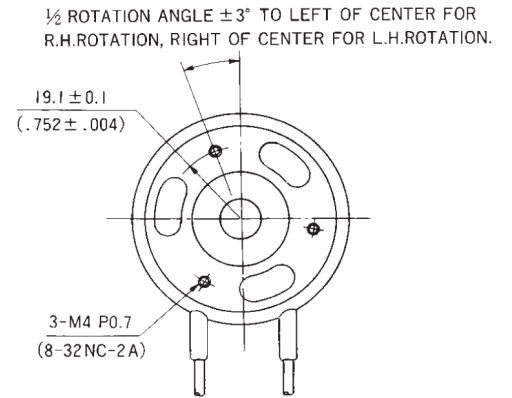
WITH A,B&R



WITH A,D&R



WITH A&B



WITH T

COIL DATA

Heat sink : 310×310×3mm aluminum

Return spring torque : 0.045~0.065 N·m

duty cycle = $\frac{\text{"on" time}}{\text{"on" time} + \text{"off" time}} \times 100\%$			100% continuous	75% or less	50% or less	25% or less	10% or less
MAX. "on" time in seconds			∞	95	87	36	13
watts at 20°C			32	43	64	128	320
ampere-turns at 20°C			1480	1710	2080	2940	4620
gross starting torque at 20°C (N·m)			25°	0.72	0.92	1.33	3.45
			35°	0.53	0.69	1.03	2.27
			45°	0.28	0.38	0.55	0.94
			67.5°	0.25	0.33	0.48	0.78
			95°	0.14	0.19	0.27	0.47
AWG no.	resistance $\Omega \pm 10\%$ (at 20°C)	no. turns	volts DC				
20	1.23	295	6.2	7.1	8.7	12.3	19.3
21	1.75	340	7.6	8.8	10.7	15.1	24
22	2.79	446	9.3	10.7	13	18.4	29
23	4.54	567	11.9	13.7	16.7	24	37
24	6.93	690	14.9	17.2	21	30	46
25	12.5	910	20.0	24	29	40	63
26	18.4	1120	24	28	34	48	76
27	33.4	1500	33	38	46	65	103
28	46.3	1750	39	45	55	78	122
29	74.5	2232	49	57	69	98	154
30	125.5	2940	63	73	89	126	197
31	199	3611	82	94	115	162	255
32	302	4350	103	119	144	204	321
33	417	5010	123	142	173	245	385