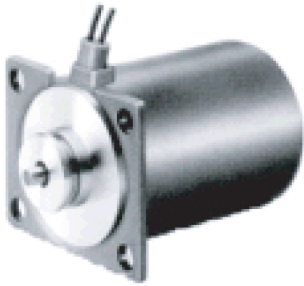
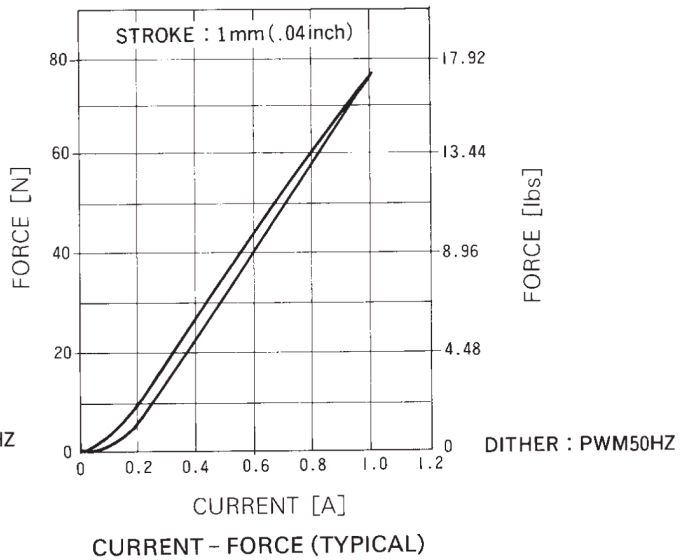
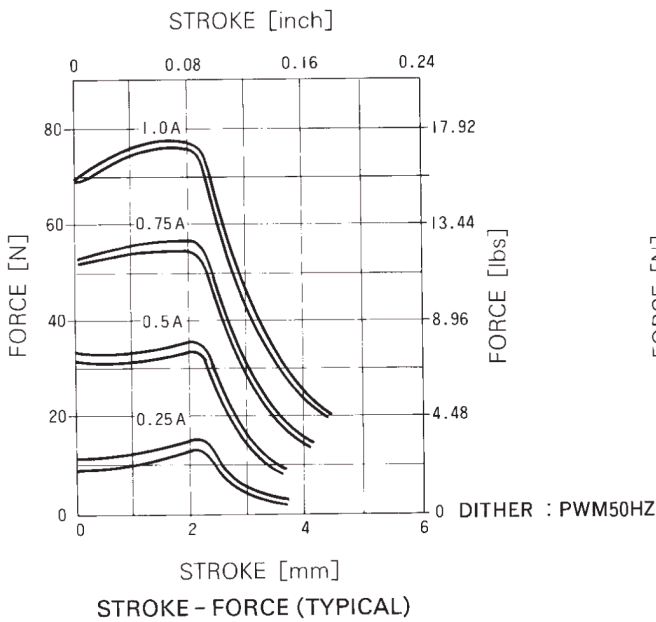
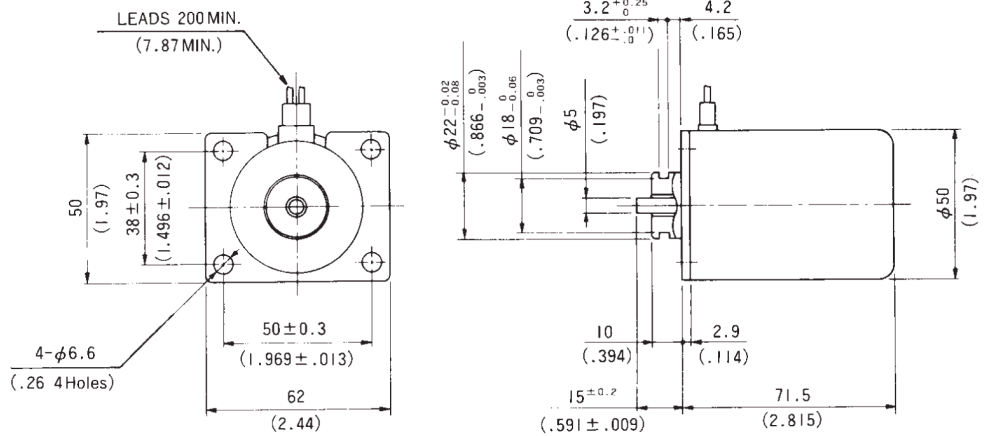


PS50CX-0207 PROPORTIONAL SOLENOID

UNIT : $\frac{\text{mm}}{\text{(inch)}}$
SHOWN ENERGIZED



WEIGHT : 810g



SPECIFICATIONS

ITEM	UNIT	TYPE NO. PS50CX-0207-24
Volts DC	V	24
Current	A	MAX. 1.0
Resistance	Ω	12.8 at 20°C
Watts	W	12.8 at 20°C
Force	N//lbs	72.6//16.28 at 1mm (.04in) , 1.0A
Control Stroke	mm(inch)	MAX.2.0 (.078)
Full Stroke	mm(inch)	MIN. 4.0 (.157)
Insulation Class		F(155°C)
Rated Pressure	MPa//PSI	1.03//150
Burst Pressure	MPa//PSI	3.09//450
Dielectric Strength		AC 1000V, 1 minute
Insulation Resistance		More than 100MΩ at DC 500V