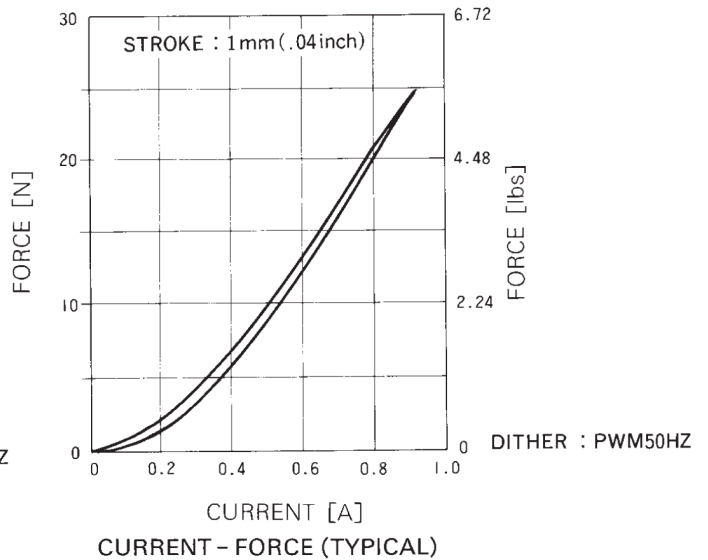
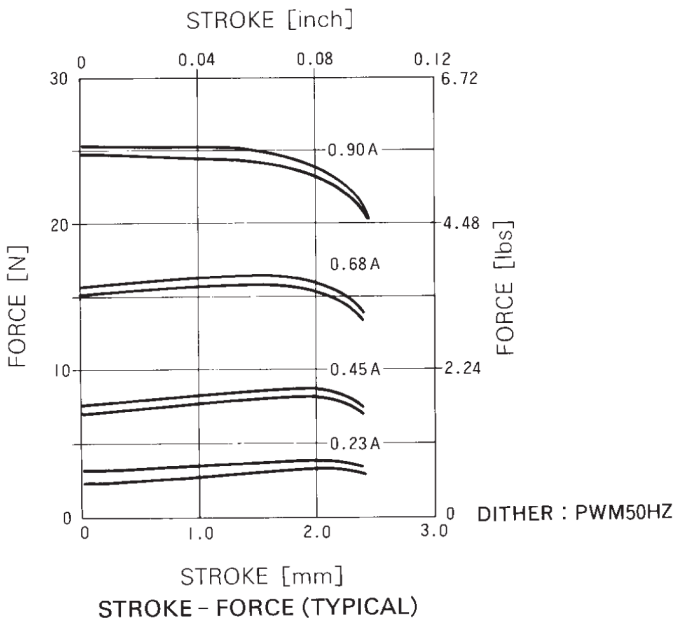
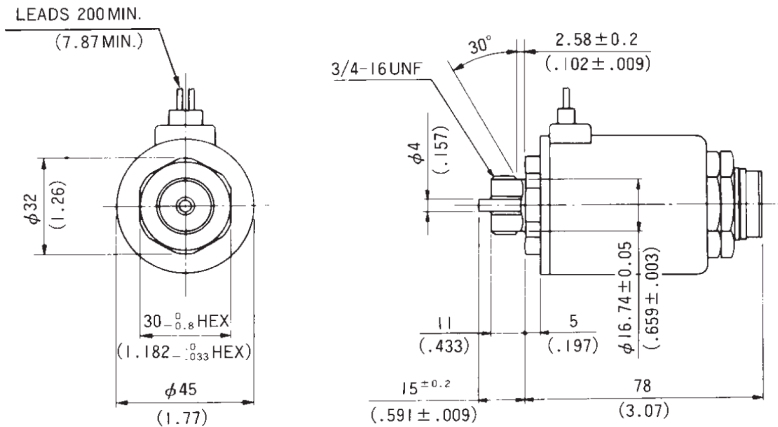


# PS45CX-0202 PROPORTIONAL SOLENOID

UNIT :  $\frac{\text{mm}}{\text{inch}}$   
 SHOWN ENERGIZED



WEIGHT : 560g



## SPECIFICATIONS

ITEM	UNIT	TYPE NO. PS45CX-0202-24
Volts DC	V	24
Current	A	MAX. 0.9
Resistance	$\Omega$	14 at 20°C
Watts	W	11.3 at 20°C
Force	N//lbs	24.5//5.5 at 1mm (.04in) , 0.9A
Control Stroke	mm (inch)	MAX. 2.0 (.078)
Full Stroke	mm (inch)	MIN. 2.0 (.078)
Insulation Class		F (155°C)
Rated Pressure	MPa//PSI	3.5//500
Burst Pressure	MPa//PSI	10.3//1500
Dielectric Strength		AC 1000V, 1 minute
Insulation Resistance		More than 100M $\Omega$ at DC 500V