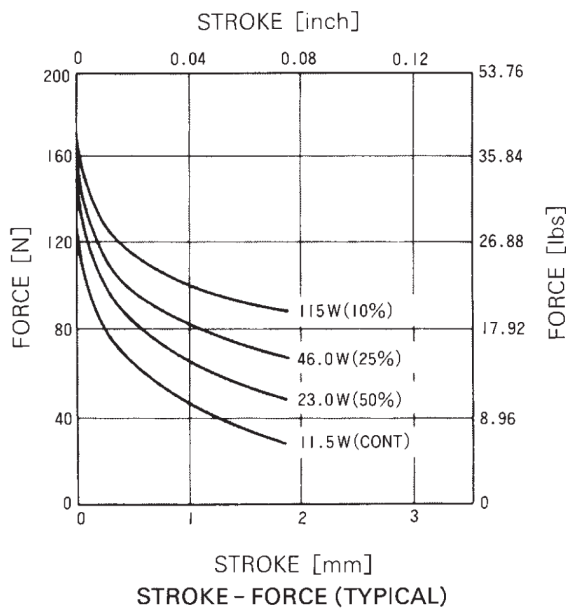
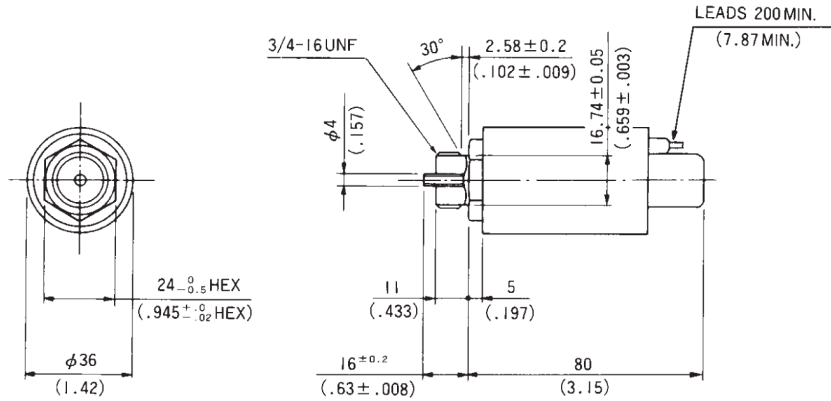


SW3613CX WET TYPE ON-OFF SOLENOID

UNIT : $\frac{\text{mm}}{\text{(inch)}}$
SHOWN ENERGIZED



WEIGHT : 400g



SPECIFICATIONS

ITEM	UNIT	TYPE NO. SW3613CX-24
Volts DC	V	24
Current	A	0.48 at cont. DUTY CYCLE
Resistance	Ω	50 at 20°C
Watts	W	11.5 at 20°C
Force	N//lbs	44.2//9.9 at 1mm/0.04in: cont.
Full Stroke	mm (inch)	MIN. 1.5 (.59)
Insulation Class		F (155°C)
Rated Pressure	MPa//PSI	3.5//500
Burst Pressure	MPa//PSI	10.3//1500
Dielectric Strength		AC 1000V, 1 minute
Insulation Resistance		More than 100MΩ at DC 500V