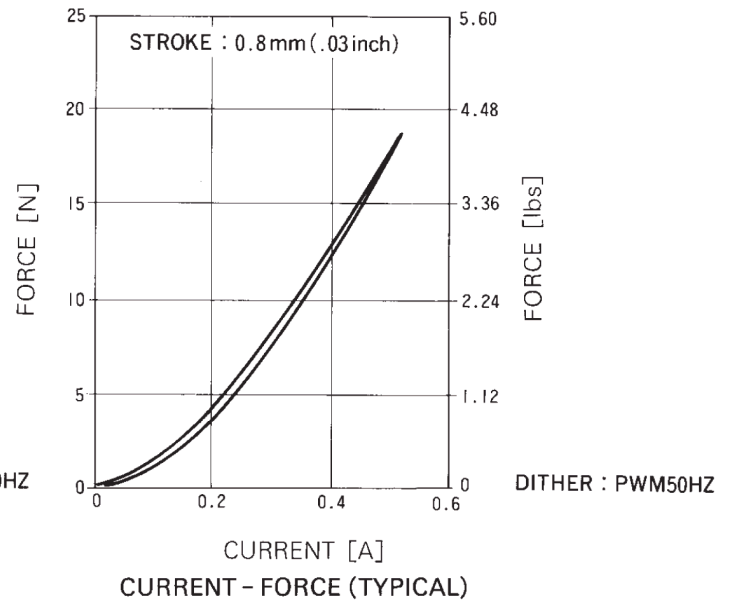
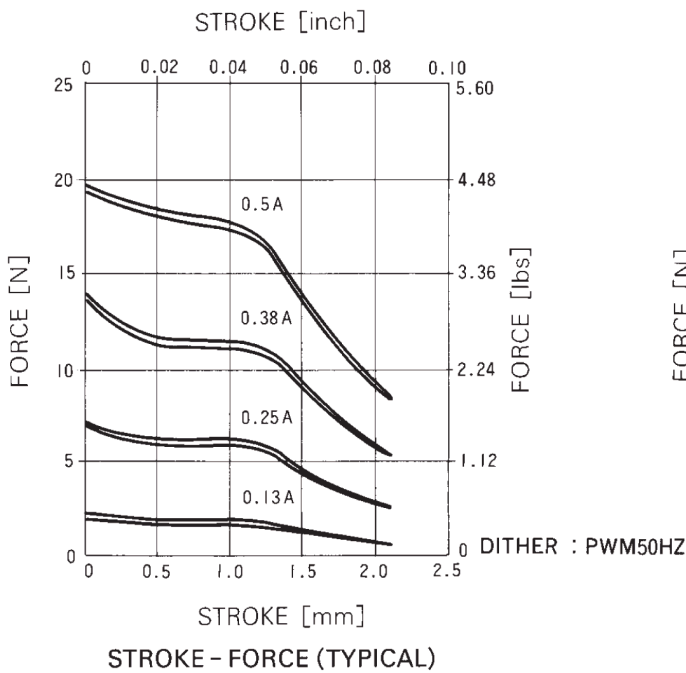
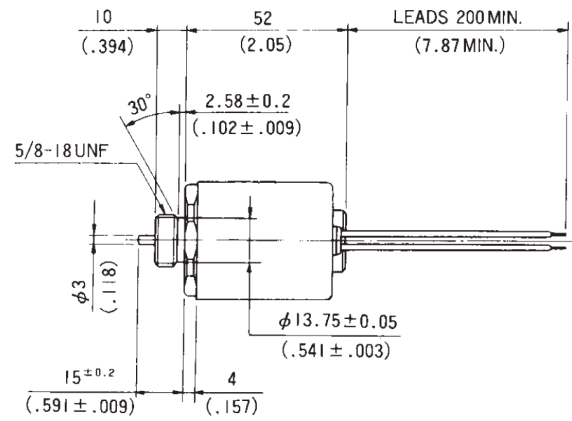
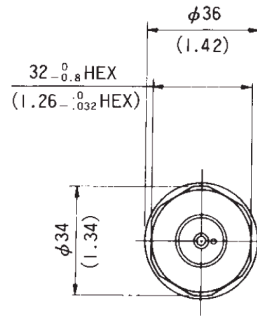


PS36CX-0102 PROPORTIONAL SOLENOID

UNIT : $\frac{\text{mm}}{\text{inch}}$
SHOWN ENERGIZED



WEIGHT : 320g



SPECIFICATIONS

ITEM	UNIT	TYPE NO. PS36CX-0102-24
Volts DC	V	24
Current	A	MAX. 0.5
Resistance	Ω	20 at 20°C
Watts	W	5.0 at 20°C
Force	N//lbs	17.7//3.97 at 0.8mm(.03in), 0.5A
Control Stroke	mm (inch)	MAX. 1.1 (.043)
Full Stroke	mm (inch)	MIN. 1.6 (.062)
Insulation Class		F(155°C)
Rated Pressure	MPa//PSI	6.8//1000
Burst Pressure	MPa//PSI	20.6//3000
Dielectric Strength		AC 1000V、1 minute
Insulation Resistance		More than 100M Ω at DC 500V

(주)신우솔텍 TEL : 02-584-5995