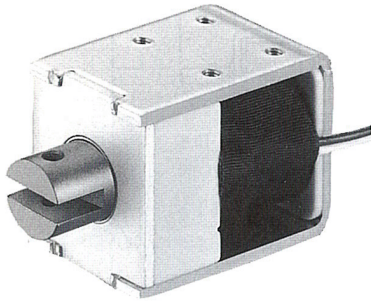
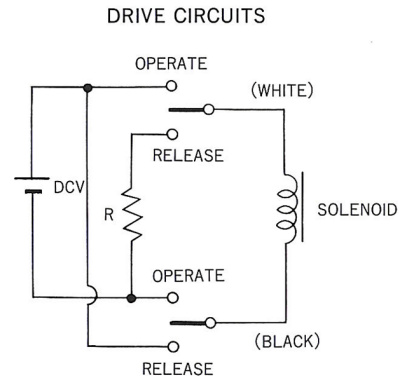
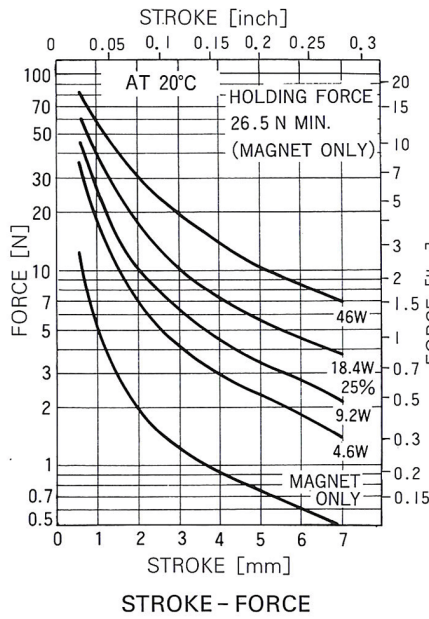
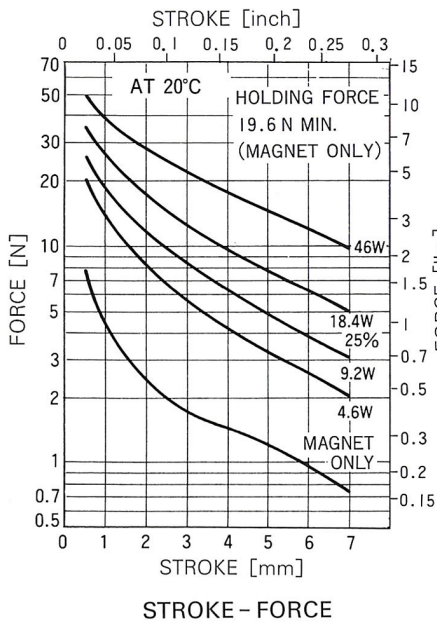
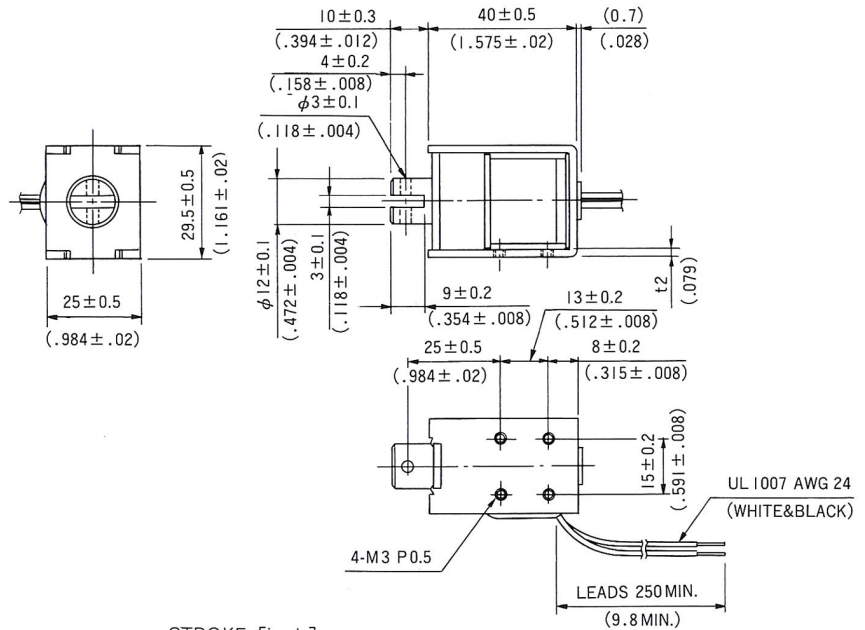


SH1LC1240,SH1LF1240 PERMANENT MAGNET SOLENOID

UNIT : $\frac{\text{mm}}{\text{inch}}$
SHOWN ENERGIZED



WEIGHT : 145g
PLUNGER : 34g



COIL DATA

without heat sink

	duty cycle = $\frac{\text{"on" time}}{\text{"on" time} + \text{"off" time}} \times 100\%$		25% or less	release current (reference)
	maximum "on" time in seconds		20	
	watts at 20°C		18.4	
	ampere-turns at 20°C		979	
type no.	resistance $\Omega \pm 10\%$ (at 20°C)	no. turns	volts DC	ampere
SH1LC1240-06 SH1LF1240-06	2.0	320	6	1,620mA
SH1LC1240-12 SH1LF1240-12	7.8	630	12	820mA
SH1LC1240-24 SH1LF1240-24	31.3	1,315	24	400mA