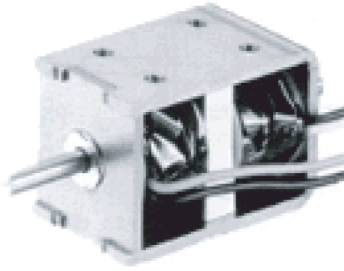
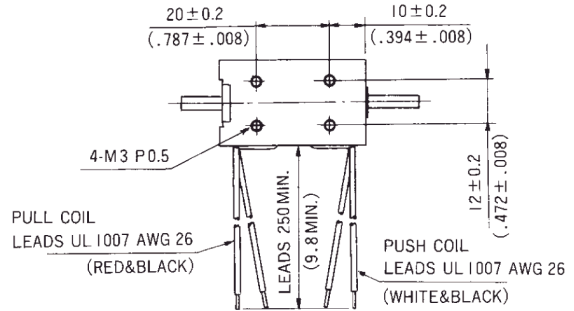
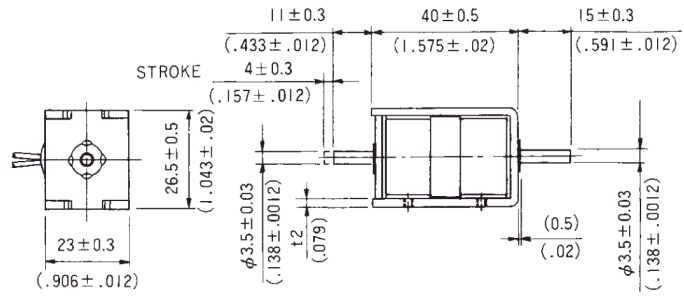


# SH2LC1140 PERMANENT MAGNET SOLENOID

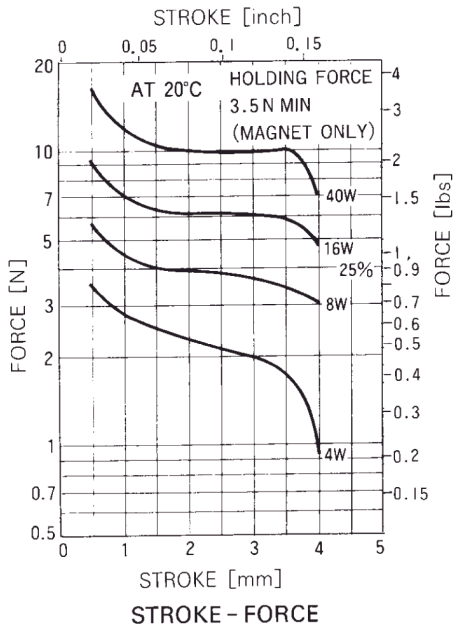
UNIT:  $\frac{\text{mm}}{\text{inch}}$



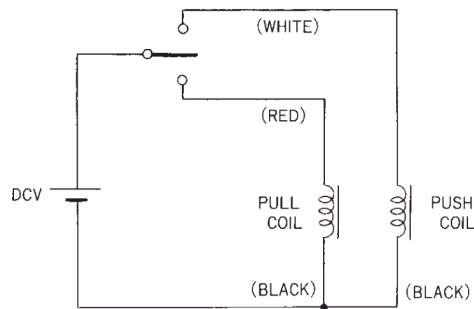
WEIGHT : 115g  
PLUNGER : 21g



SHOWN ENERGIZED POSITION WHEN A VOLTAGE IS APPLIED TO PUSH COIL.  
STROKE : 4mm ± 0.3



### DRIVE CIRCUITS



### COIL DATA

without heat sink

	duty cycle = $\frac{\text{"on" time}}{\text{"on" time} + \text{"off" time}} \times 100\%$		25% or less
	maximum "on" time in seconds		3
	watts at 20°C		16
	ampere-turns at 20°C		691
type no.	resistance $\Omega \pm 10\%$ (at 20°C)	no. turns	volts DC
SH2LC1140-06	2.3	265	6
SH2LC1140-12	9	525	12
SH2LC1140-24	36	1,025	24