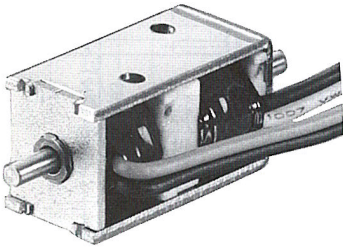
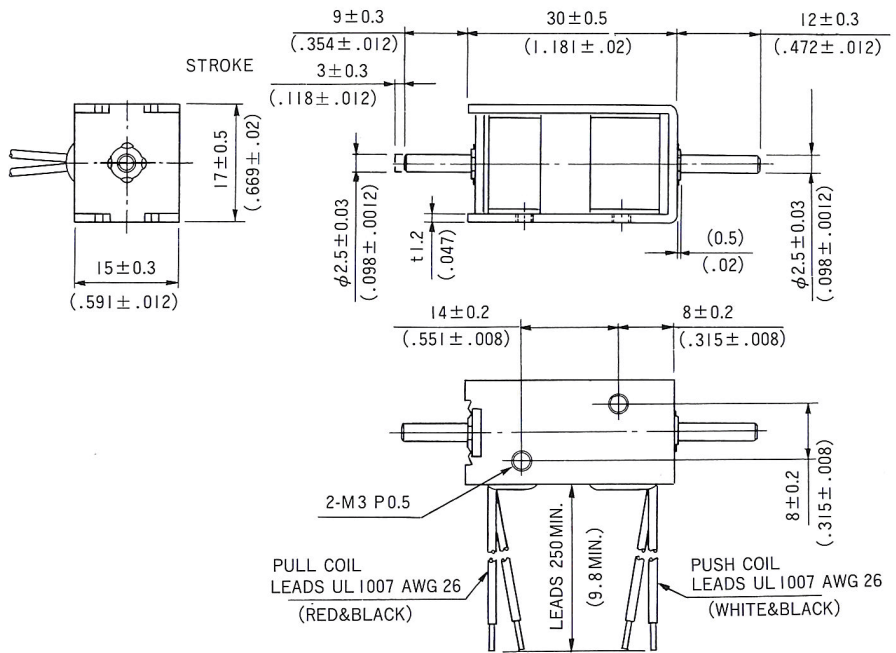


SH2LC0730 PERMANENT MAGNET SOLENOID

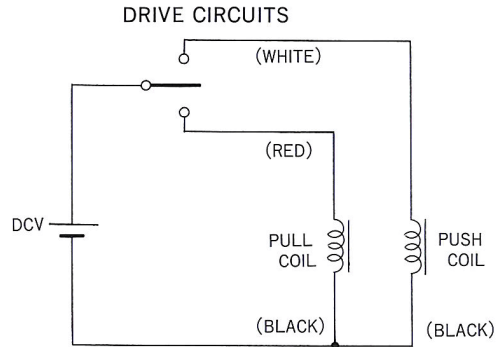
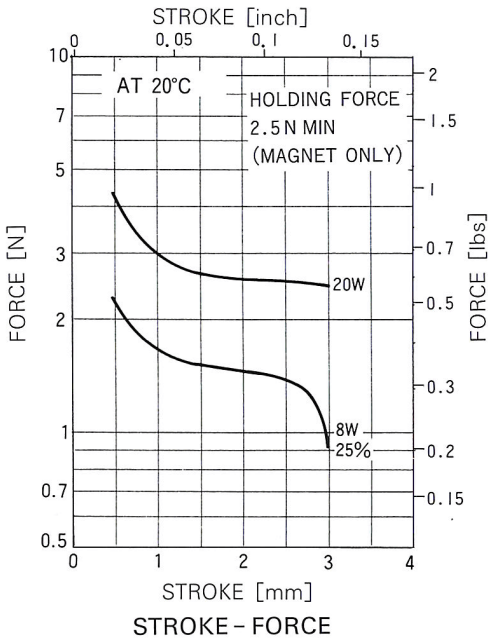
UNIT: $\frac{\text{mm}}{\text{(inch)}}$



WEIGHT : 35g
PLUNGER : 7g



SHOWN ENERGIZED POSITION WHEN A VOLTAGE IS APPLIED TO PUSH COIL.
STROKE : 3mm ± 0.3



COIL DATA

without heat sink

	duty cycle = $\frac{\text{"on" time}}{\text{"on" time} + \text{"off" time}} \times 100\%$		25% or less
	maximum "on" time in seconds		2
	watts at 20°C		8
	ampere-turns at 20°C		368
type no.	resistance $\Omega \pm 10\%$ (at 20°C)	no. turns	volts DC
SH2LC0730-06	4.5	285	6
SH2LC0730-12	18	540	12
SH2LC0730-24	72	1,100	24

(주)신우솔텍 TEL : 02-584-5995